

27EB

Tandem Axle Equipment Trailer

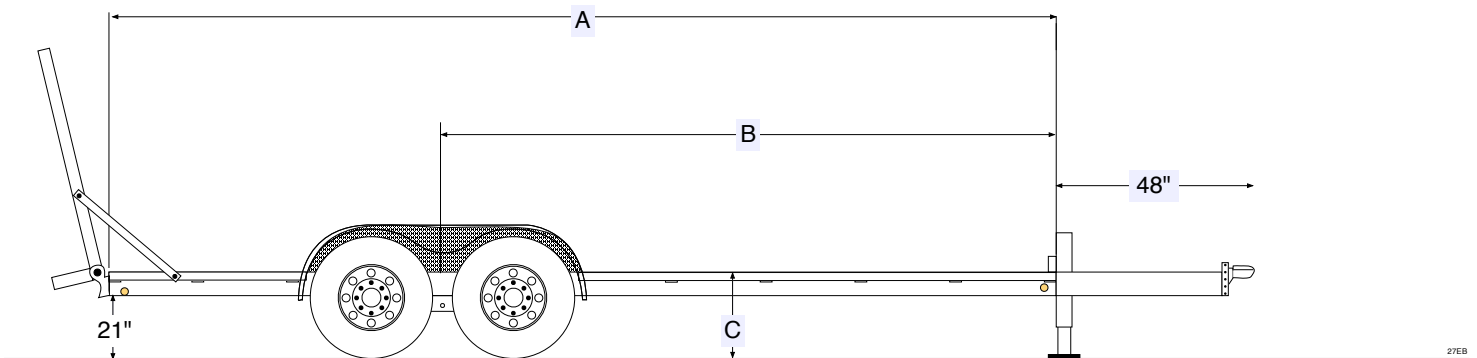
G.V.W.R	14,000#	LOADING RAMPS	2 - 3" Channel Loading Ramps
COUPLER	2 5/16" Coupler on Leveler Track	LIGHTS	All LED Stop, Tail, Turn and Clearance
AXLES	Tandem 7,000# Single Wheel	ELECTRIC PLUG	7-Way RV Style
SUSPENSION	Multi-leaf Slipper Spring with Equalizer	PREP	3-Step Acid Washed with Phosphorus Solution
BRAKES	Electric brakes on all axles	PRIMER	Rust Resistant Epoxy Primer
TIRE	ST235/80R16 (10 ply)	PAINT	High Solid Urethane
WHEEL	16 x 6, 8-bolt	PINSTRIPES	Painted Pinstripes
FRAME	6" Channel	WIDTH	84" wide (approx. between fenders)
TOUNGE	5" Channel	DECK HEIGHT	Approx. 28"
CROSSMEMBERS	3" Channel on 16" centers	STORAGE	Storage Area in A-Frame (Expanded Metal)
SAFETY CHAINS	Heavy Duty with Safety Latch Hooks	WIRING	Front Mount in conduit
JACK	Single 12,000# Spring Loaded Drop Leg Jack	REFLECTIVE TAPE	Required D.O.T. Reflective Taping
SIDE RAILS	Stake Pockets & Rub Rails	SAFETY	Emergency Breakaway switch & battery backup
FLOOR	2" Pressure Treated Pine		
FENDERS	Diamondplate Teardrop with full backplate		
All specifications subject to change without notice.			

Measurements

when equipped with 5' dove tail

Length	A	B	C
14	168	102"	28"
16	192	114"	28"
18	216	126"	28"
20	240	138"	28"
22	264	150"	28"
24	288	162"	28"

All measurements are approximate



SUGGESTED RETAIL PRICE

Bumper Pull

Model	Length	Frame	MSRP
27EB-14	14'	6" Channel	\$5,353
27EB-16	16'	6" Channel	\$5,589
27EB-18	18'	6" Channel	\$5,824
27EB-20	20'	8" Channel	\$6,059
27EB-22	22'	8" Channel	\$6,294
27EB-24	24'	8" Channel	\$6,526

27EB OPTIONS PRICING

Dove Tail (2 ft.)	\$190	Metal Floor (3/16" Diamondplate with crossmembers on 12" centers)	\$79/ft.
Lid for Chain Basket	\$70	Spare Wheel	\$85
Extra Spring Loaded Jack (Dual Jacks)	\$235	Spare (Complete Tire & Wheel)	\$252
2-Speed Jack System (includes 2nd Jack)	\$426	Slide-in Ramps	\$265
Shrinkwrap Electrical Connections	\$86	Deduct for no ramps	-\$100
Springs on Ramps	\$33 ea.	Drive-Over Fenders (102" wide deck in front and rear of fenders)	\$1,250
Blackwood (rubber infused lumber) excellent traction	\$48/ft.		